

**Features**

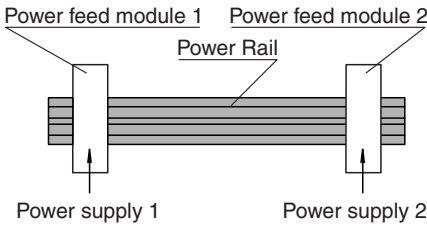
- 24 V DC supply voltage
- Device installation in Zone 2
- Supply current ≤ 4 A
- Bus access via terminals
- Redundant supply
- Fault indication output with adjustable mode of operation
- EMC acc. to NAMUR NE 21

**Function**

The power feed module supplies the Power Rail with a voltage of 24 V DC and a maximum current of 4 A.

The application of the supply voltages is indicated on the front panel by means of a green LED (POWER ON). The integrated fault evaluation detects shorts. In a fault condition, the relays switch closed and the fault is indicated by means of a red LED on the front panel. The mode of operation of the relay can be adjusted with a switch.

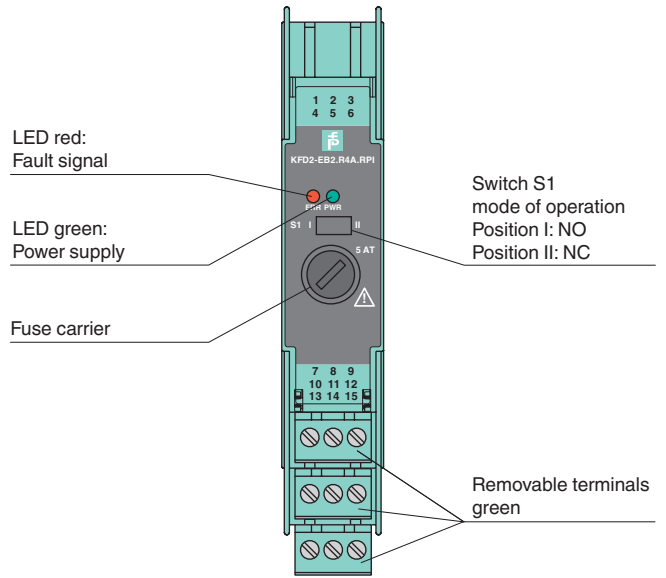
The dual designed power feed terminals have the ability to loop the supply (up to a max. of 10 A). The 3 poles of the Power Rail for the bus connection are separately arranged on terminals 13, 14 and 15. The breakdown LED connected between terminals 8+, 11+ and 9-, 12- provides transient overvoltage protection per IEC 60801-5.



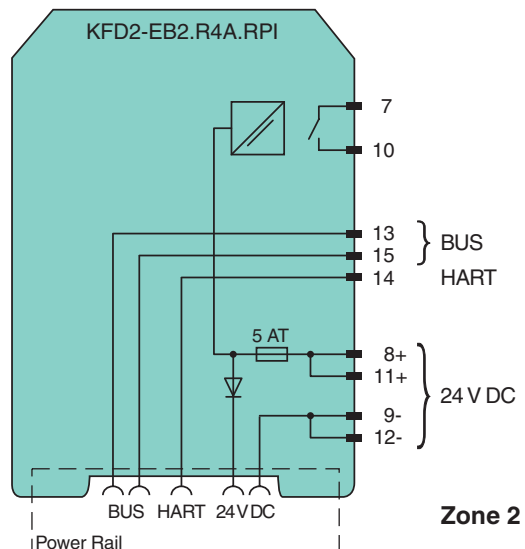
**Two** power feed modules can be used on a Power Rail as a redundant supply through the reverse diode "R".

**Assembly**

Front view



**Connection**



Release date 2016-05-30 09:38 Date of issue 2016-05-30 189787\_eng.xml

Refer to "General Notes Relating to Pepperl+Fuchs Product Information".

<b>Supply</b>	
Connection	terminals 11+, 12- terminals 8+, 9-
Rated voltage $U_n$	20 ... 30 V DC The maximum rated operating voltage of the devices plugged onto the Power Rail must not be exceeded.
Power dissipation	≤ 1 W
<b>Output</b>	
Supply	Output current: ≤ 4 A
Fault signal	relay output: NO contact
Contact loading	40 V DC ; 2 A
Energized/De-energized delay	approx. 20 ms / approx. 20 ms
Fusing	5 AT
<b>Directive conformity</b>	
Electromagnetic compatibility	
Directive 2014/30/EU	EN 61326-1:2013 (industrial locations)
<b>Conformity</b>	
Electromagnetic compatibility	NE 21:2006
Degree of protection	IEC 60529:2001
<b>Ambient conditions</b>	
Ambient temperature	-20 ... 60 °C (-4 ... 140 °F)
Damaging gas	acc. to ISA-S71.04-1985, severity level G3
<b>Mechanical specifications</b>	
Degree of protection	IP20
Connection	terminal connection ≤ 2.5 mm <sup>2</sup>
Mass	approx. 100 g
Dimensions	20 x 115 x 115 mm (0.8 x 4.5 x 4.5 in)
Mounting	on 35 mm DIN mounting rail acc. to EN 60715:2001
<b>Data for application in connection with Ex-areas</b>	
Statement of conformity	TÜV 00 ATEX 1618 X
Group, category, type of protection, temperature class	⊕ II 3G Ex nA nC IIC T4
Directive conformity	
Directive 2014/34/EU	EN 60079-0:2012+A11:2013 , EN 60079-15:2010
<b>International approvals</b>	
FM approval	
Control drawing	116-0160
Approved for	Class I, Division 2, Groups A, B, C, D; Class I, Zone 2, IIC
UL approval	Class I, Division 2, Groups A, B, C, D; Class I, Zone 2, IIC
CSA approval	
Control drawing	116-0160
Approved for	Class I, Division 2, Groups A, B, C, D; Class I, Zone 2, IIC
<b>General information</b>	
Supplementary information	Statement of Conformity, Declaration of Conformity, Attestation of Conformity and instructions have to be observed where applicable. For information see <a href="http://www.pepperl-fuchs.com">www.pepperl-fuchs.com</a> .

Release date 2016-05-30 09:38 Date of issue 2016-05-30 189787\_eng.xml