



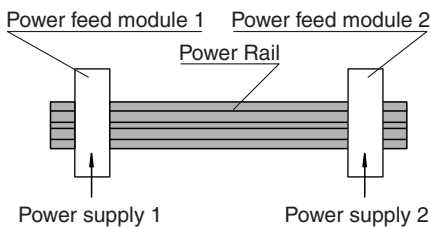
- 24 V DC supply voltage
- Device installation permissible in zone 2
- Supply current  $\leq 2$  A
- Bus access via terminals
- Redundant supply
- Fault signal output with adjustable mode of operation
- EMC acc. to NAMUR NE 21

**Function**

The power feed module KFD2-EB.R2A.RPI supplies the Power Rail with a voltage of 24 V DC and a maximum current of 2 A. The application of the supply voltages is indicated on the front panel by means of a green LED (POWER ON).

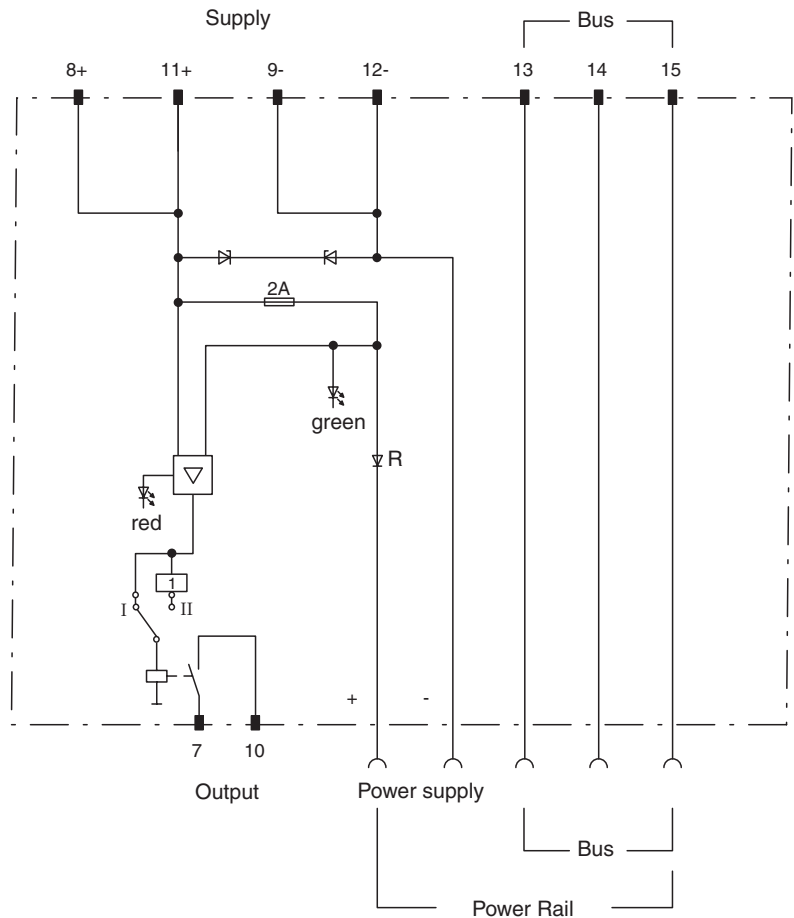
The integrated fault evaluation detects shorts. In a fault condition, the relays switch closed and the fault is indicated by means of a red LED on the front panel. The mode of operation can be adjusted with a plug-in jumper.

The dual designed power feed terminals have the ability to loop the supply (up to a max. of 10 A). The 3 poles of the Power Rail for the bus connection are separately arranged on terminals 13, 14 and 15. The breakdown LED connected between terminals 8+, 11+ and 9-, 12- provides transient overvoltage protection per IEC 801-5.



**Two** power feed modules can be used on a Power Rail as a redundant supply through the reverse diode "R".

**Connection**



**Composition**

**Front View**

Housing type C  
(see system description)

LED red:  
Fault signal

LED green:  
Power supply



Removable terminals green

Release date 2005-11-28 08:41 Date of issue 2005-11-28 105532\_ENG.xml

<b>Supply</b>	
Connection	terminals 11+, 12- terminals 8+, 9-
Rated voltage	20 ... 30 V DC The maximum rated operational voltage of the devices plugged onto the Power Rail must not be exceeded.
<b>Output</b>	
Power Rail feed	output current: $\leq 2$ A
Fault signal	relay output: NO
Contact loading	24 V AC, 1 A/24 V DC, 1 A
Energized/de-energized delay	approx. 20 ms / approx. 20 ms
<b>Directive conformity</b>	
Explosion protection	
Directive 94/9 EC	EN 50021
<b>Standard conformity</b>	
Electromagnetic compatibility	NE 21
Protection degree	IEC 60529
<b>Ambient conditions</b>	
Ambient temperature	-20 ... 60 °C (253 ... 333 K)
Damaging gas	acc. to ISA-S71.04-1985, severity level G3
<b>Mechanical specifications</b>	
Protection degree	IP20
Connection	terminal connection $\leq 2.5$ mm <sup>2</sup>
Mass	approx. 100 g
Dimensions	20 x 118 x 115 mm (0.8 x 4.6 x 4.5 in)
Mounting	DIN rail mounting
<b>Data for application in conjunction with hazardous areas</b>	
Statement of conformity	TÜV 00 ATEX 1618 X , observe statement of conformity
Group, category, type of protection, temperature classification	⊕ II 3 G EEx nAC IIC T4
<b>Entity parameter</b>	
FM control drawing	No. 116-0160
Suitable for installation in division 2	yes
<b>Safety parameter</b>	
Control drawing	No. 116-0160

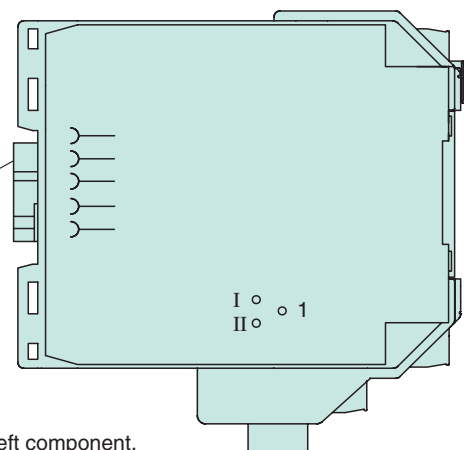
**Supplementary information**

EC-Type Examination Certificate, Statement of Conformity, Declaration of Conformity and instructions have to be observed. For information see [www.pepperl-fuchs.com](http://www.pepperl-fuchs.com).

**Notes**

**Adjustment of the jumpers**

Power Rail supply and bus



The jumper is visible on the circuit board after removing the cover and the left component.