



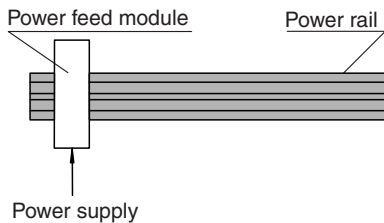
- 24 V DC supply voltage
- Device installation permissible in zone 2
- Supply current ≤ 4 A
- Fault signal output with adjustable mode of operation
- Bus access via terminals
- EMC acc. to NAMUR NE 21

Function

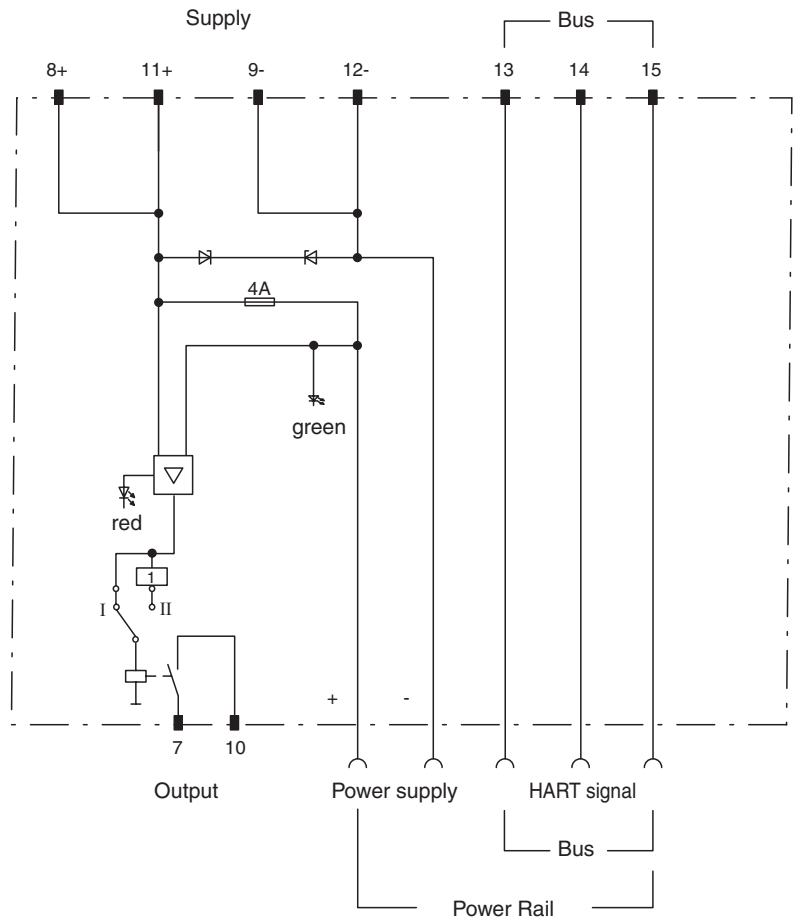
The power feed module KFD2-EB.RPI supplies the Power Rail with a voltage of 24 V DC and a 4 A maximum current. The application of the supply voltage is indicated on the front panel by means of a green LED (POWER ON).

In a fault condition, the relays switch open and the fault is indicated by means of a red LED on the front panel. The mode of operation can be adjusted with a plug-in jumper.

The dual designed power feed terminals have the ability to loop the supply (up to a max. of 10 A). On the KFD2-EB2.RPI, the 3 poles of the Power Rail for the bus connection are separately arranged on terminals 13, 14 and 15. The breakdown diode connected between terminals 8+, 11+ and 9-, 12- provides transient overvoltage protection per IEC 801-5.



Connection



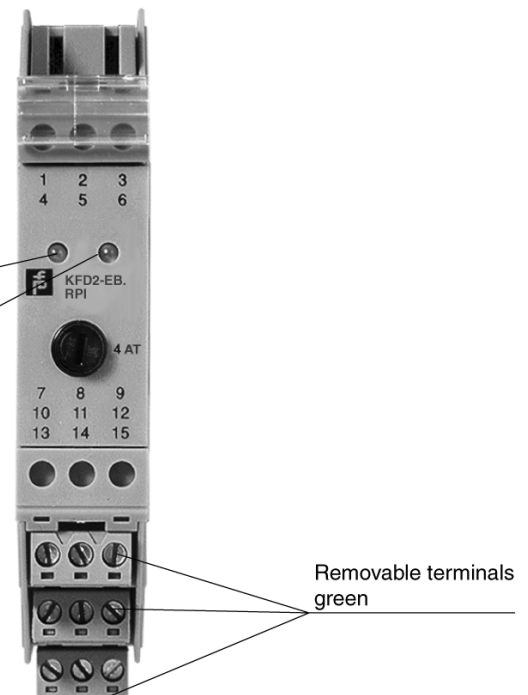
Composition

Front View

Housing type C (see Catalogue DIN-RAIL Housing system description)

LED red: Fault signal

LED green: Power supply



Release date 2005-11-28 08:37 Date of issue 2005-11-28 105531_ENG.xml

Supply	
Connection	terminals 11+, 12- terminals 8+, 9-
Rated voltage	20 ... 30 V DC The maximum rated operational voltage of the devices plugged onto the Power Rail must not be exceeded.
Output	
Power Rail feed	output current: ≤ 4 A
Fault signal	relay output: NO
Contact loading	24 V AC, 1 A/24 V DC, 1 A
Energized/de-energized delay	approx. 20 ms / approx. 20 ms
Directive conformity	
Explosion protection	
Directive 94/9 EC	EN 50021
Standard conformity	
Electromagnetic compatibility	NE 21
Protection degree	IEC 60529
Ambient conditions	
Ambient temperature	-20 ... 60 °C (253 ... 333 K)
Damaging gas	acc. to ISA-S71.04-1985, severity level G3
Mechanical specifications	
Protection degree	IP20
Connection	terminal connection ≤ 2.5 mm ²
Mass	approx. 100 g
Dimensions	20 x 118 x 115 mm (0.8 x 4.6 x 4.5 in)
Mounting	DIN rail mounting
Data for application in conjunction with hazardous areas	
Statement of conformity	TÜV 00 ATEX 1618 X , observe statement of conformity
Group, category, type of protection, temperature classification	⊕ II 3 G EEx nAC IIC T4
Entity parameter	
FM control drawing	No. 116-0160
Suitable for installation in division 2	yes
Safety parameter	
Control drawing	No. 116-0160

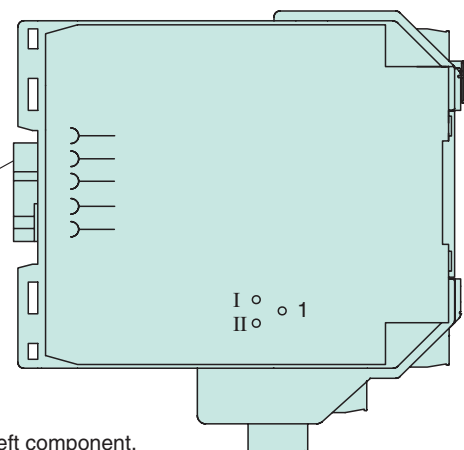
Supplementary information

EC-Type Examination Certificate, Statement of Conformity, Declaration of Conformity and instructions have to be observed. For information see www.pepperl-fuchs.com.

Notes

Adjustment of the jumpers

Power Rail supply and bus



The jumper is visible on the circuit board after removing the cover and the left component.