



- 24 V DC supply voltage
- Device installation permissible in zone 2
- Supply current ≤ 2 A
- Bus access via terminals
- Redundant supply
- Fault signal output with adjustable mode of operation
- EMC acc. to NAMUR NE 21

redundant supply
KFD2-EB.R2A.B

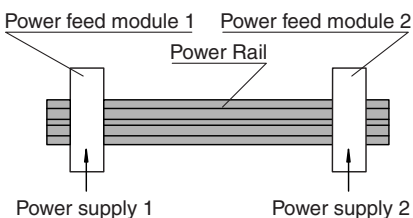
Function

The power feed module supplies the Power Rail with a voltage of 24 V DC and a maximum current of 2 A.
The dual designed power feed terminals 8+ and 11+ or 9- and 12- offer the option to loop the supply (up to max. 10 A).

The integrated error evaluation system detects fuse errors and possible collective error messages. In a fault condition, the relay switches (normally open contact terminals 7 and 10) and the malfunction is indicated by means of the red LED on the front. The mode of operation can be adjusted with a plug-in jumper.

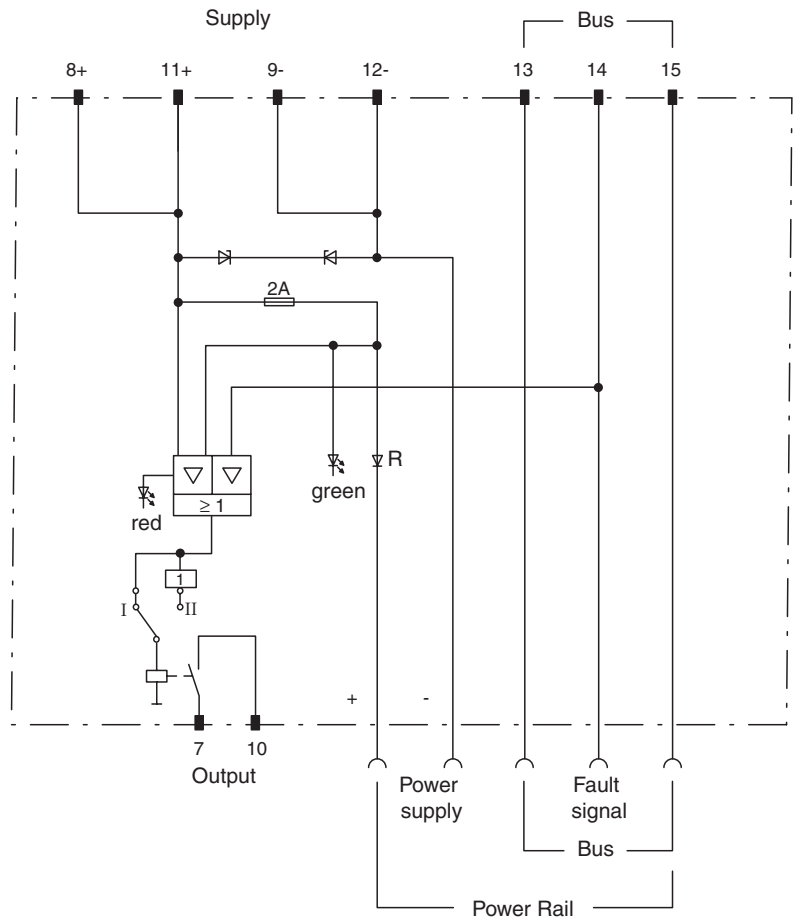
Terminals 13 and 15 are used for the bus connection (only for Power Rail PR-05 or UPR-05).

Terminal 14 is the measuring point for the collective error message (only provided for test purposes, must not be wired into the system).



The reverse diode "R" makes it possible to use **two** power feed modules on one Power Rail for a redundant power supply.

Connection



Composition

Front View

Housing type C2
(see system description)

LED red:
Fault signal

LED green:
Power supply



Removable terminals green

Supply	
Connection	terminals 11+, 12- terminals 8+, 9-
Rated voltage	20 ... 30 V DC The maximum rated operational voltage of the devices plugged onto the Power Rail must not be exceeded.
Power loss	2.4 W
Output	
Power Rail feed	output current: ≤ 2 A
Fault signal	relay output: NO
Contact loading	24 V AC, 2 A / 24 V DC, 2 A
Energized/De-energized delay	approx. 20 ms / approx. 20 ms
Conformity	
Protection degree	IEC 60529
Ambient conditions	
Ambient temperature	-25 ... 60 °C (248 ... 333 K)
Mechanical specifications	
Protection degree	IP20
Mass	approx. 100 g
Dimensions	20 x 118 x 115 mm (0.8 x 4.6 x 4.5 in)
Data for application in conjunction with hazardous areas	
Statement of conformity	TÜV 00 ATEX 1618 X , observe statement of conformity
Group, category, type of protection, temperature classification	⊕ II 3 G EEx nAC IIC T4
Entity parameter	
Certification number	J.I.3000847
FM control drawing	No. 116-0160
Suitable for installation in division 2	yes
Safety parameter	
CSA control drawing	LR 36087-18
Control drawing	No. 116-0149

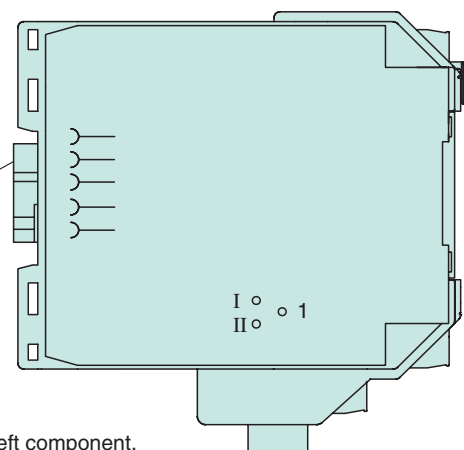
Supplementary information

Statement of Conformity, Declaration of Conformity and instructions have to be observed. For information see www.pepperl-fuchs.com.

Notes

Adjustment of the jumpers

Power Rail supply and bus



The jumper is visible on the circuit board after removing the cover and the left component.