

SMART Transmitter Power Supply

KFD2-STV4-Ex1.2O-2

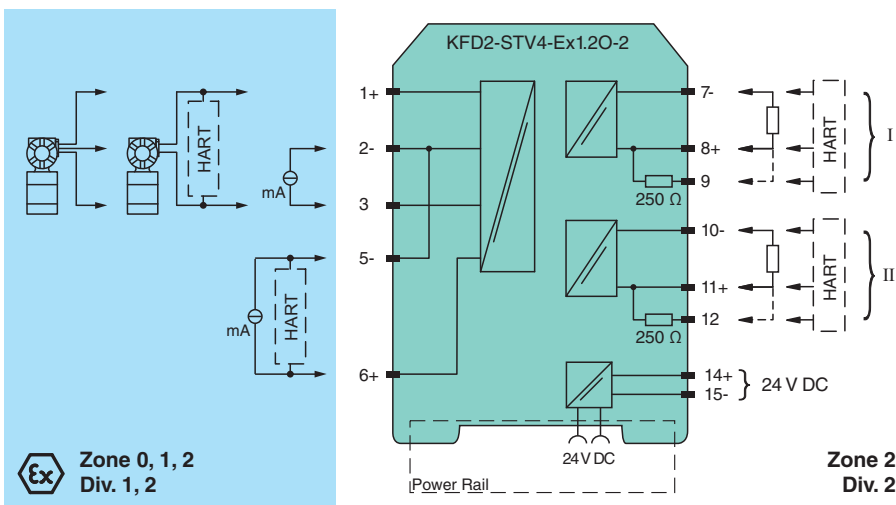
- 1-channel isolated barrier
- 24 V DC supply (Power Rail)
- Input 2-wire and 3-wire SMART transmitters and 2-wire SMART current sources
- Signal splitter (1 input and 2 outputs)
- Dual output 0/2 V ... 10 V
- Terminal blocks with test sockets
- Up to SIL 3 acc. to IEC/EN 61508



Function

This isolated barrier is used for intrinsic safety applications. The device supplies 2-wire and 3-wire SMART transmitters in a hazardous area, and can also be used with 2-wire SMART current sources. It transfers the analog input signal to the safe area as two isolated voltage values. Digital signals may be superimposed on the input signal in the hazardous or safe area and are transferred bi-directionally. If the HART communication resistance in the loop is too low, the internal resistance of 250 Ω between terminals 8, 9 and 11, 12 can be used. Test sockets for the connection of HART communicators are integrated into the terminals of the device.

Connection



Technical Data

| General specifications | |
|--------------------------------------|----------------------------------|
| Signal type | Analog input |
| Functional safety related parameters | |
| Safety Integrity Level (SIL) | SIL 3 |
| Supply | |
| Connection | Power Rail or terminals 14+, 15- |
| Rated voltage | U_r 20 ... 35 V DC |
| Ripple | within the supply tolerance |
| Power dissipation | 1.8 W |
| Power consumption | 2.4 W |

Release date: 2021-12-20 Date of issue: 2021-12-20 Filename: 283725_eng.pdf

Refer to "General Notes Relating to Pepperl+Fuchs Product Information".

Pepperl+Fuchs Group
www.pepperl-fuchs.com

USA: +1 330 486 0002
pa-info@us.pepperl-fuchs.com

Germany: +49 621 776 2222
pa-info@de.pepperl-fuchs.com

Singapore: +65 6779 9091
pa-info@sg.pepperl-fuchs.com

PEPPERL+FUCHS

Technical Data

| Input | |
|---|--|
| Connection side | field side |
| Connection | terminals 1+, 2-, 3 or 5-, 6+ |
| Input signal | 0/4 ... 20 mA |
| Open circuit voltage/short-circuit current | terminals 1+, 3-: 22.7 V / 38 mA |
| Voltage drop | terminals 5, 6 : ≤ 2.4 V at 20 mA |
| Input resistance | terminals 2-, 3: max. 76 Ω terminals 1+, 3: max. 500 Ω (250 Ω load) |
| Available voltage | terminals 1+, 3: ≥ 16 V at 20 mA |
| Output | |
| Connection side | control side |
| Connection | terminals 7-, 8+,9; 10-, 11+,12 |
| Load | output resistance: 500 Ω |
| Output signal | 0/2 ... 10 V |
| Ripple | max. 25 mV |
| Transfer characteristics | |
| Deviation | at 20 °C (68 °F), 0/2 ... 10 V ≤ 10 mV incl. calibration, linearity, hysteresis, loads and fluctuations of supply voltage |
| Influence of ambient temperature | ≤ 20 ppm/K |
| Frequency range | field side into the control side: bandwidth with 0.5 V _{pp} signal 0 ... 7.5 kHz (-3 dB) control side into the field side: bandwidth with 0.5 V _{pp} signal 0.3 ... 7.5 kHz (-3 dB) |
| Rise time | 20 μ s |
| Settling time | 200 μ s |
| De-energized delay | 20 μ s |
| Galvanic isolation | |
| Output/power supply | functional insulation, rated insulation voltage 50 V AC |
| Output/Output | functional insulation, rated insulation voltage 50 V AC |
| Indicators/settings | |
| Display elements | LED |
| Labeling | space for labeling at the front |
| Directive conformity | |
| Electromagnetic compatibility | |
| Directive 2014/30/EU | EN 61326-1:2013 (industrial locations) |
| Conformity | |
| Electromagnetic compatibility | NE 21:2011 |
| Degree of protection | IEC 60529:2001 |
| Protection against electrical shock | UL 61010-1:2012 |
| Ambient conditions | |
| Ambient temperature | -20 ... 60 °C (-4 ... 140 °F) |
| Mechanical specifications | |
| Degree of protection | IP20 |
| Connection | screw terminals |
| Mass | approx. 200 g |
| Dimensions | 20 x 124 x 115 mm (0.8 x 4.9 x 4.5 inch) (W x H x D) , housing type B2 |
| Mounting | on 35 mm DIN mounting rail acc. to EN 60715:2001 |
| Data for application in connection with hazardous areas | |
| EU-type examination certificate | BAS 99 ATEX 7060 X |
| Marking | ⊕ II (1)G [Ex ia Ga] IIC , ⊕ II (1)D [Ex ia Da] IIIC , ⊕ I (M1) [Ex ia Ma] I |
| Input | [Ex ia Ga] IIC, [Ex ia Da] IIIC, [Ex ia Ma] I |
| Supply | |
| Maximum safe voltage | U _m 250 V (Attention! The rated voltage can be lower.) |
| Equipment | terminals 1+, 3- |
| Voltage U _o | 25.4 V |
| Current I _o | 86.8 mA |

Release date: 2021-12-20 Date of issue: 2021-12-20 Filename: 283725_eng.pdf

Refer to "General Notes Relating to Pepperl+Fuchs Product Information".

Pepperl+Fuchs Group
www.pepperl-fuchs.comUSA: +1 330 486 0002
pa-info@us.pepperl-fuchs.comGermany: +49 621 776 2222
pa-info@de.pepperl-fuchs.comSingapore: +65 6779 9091
pa-info@sg.pepperl-fuchs.com

PEPPERL+FUCHS

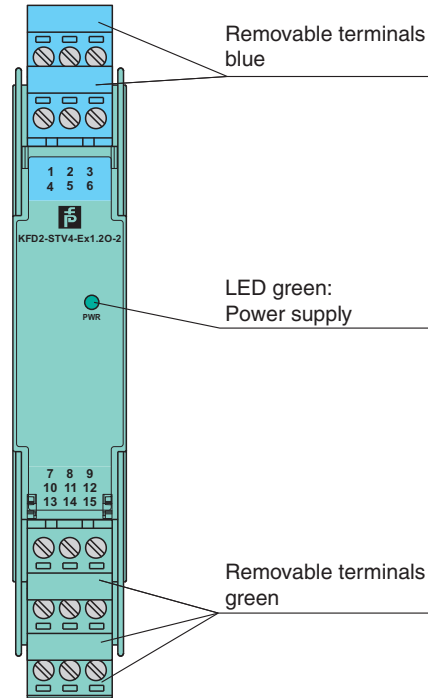
Technical Data

| | |
|--------------------------------|---|
| Power P_o | 551 mW |
| Internal capacitance C_i | 12 nF |
| Internal inductance L_i | 0 |
| Equipment | terminals 2-, 3 |
| Current I_o /Current I_i | 74 mA / 115 mA |
| Current I_i | 115 mA |
| Voltage U_o | 3.5 V |
| Current I_o | 74 mA |
| Power P_o | 64 mW |
| Equipment | terminals 1+, 2 / 3- |
| Voltage U_i | 30 V |
| Current I_i | 115 mA |
| Voltage U_o | 25.4 V |
| Current I_o | 115 mA |
| Power P_o | 584 mW |
| Equipment | terminals 5-, 6+ |
| Voltage U_i | 30 V |
| Current I_i | 115 mA |
| Voltage U_o | 8.7 V |
| Current I_o | 0 mA |
| Certificate | TÜV 99 ATEX 1499 X |
| Marking | Ⓜ II 3G Ex nA II T4 [device in zone 2] |
| Galvanic isolation | |
| Input/Output | safe electrical isolation acc. to IEC/EN 60079-11, voltage peak value 375 V |
| Input/power supply | safe electrical isolation acc. to IEC/EN 60079-11, voltage peak value 375 V |
| Directive conformity | |
| Directive 2014/34/EU | EN 60079-0:2012+A11:2013 , EN 60079-11:2012 , EN 60079-15:2010 |
| International approvals | |
| UL approval | |
| Control drawing | 116-0428 (cULus) |
| IECEx approval | |
| IECEx certificate | IECEx BAS 04.0016X IECEx CML 15.0055X |
| IECEx marking | [Ex ia Ga] IIC , [Ex ia Da] IIIC , [Ex ia Ma] I Ex nA IIC T4 Gc |
| General information | |
| Note | Both output loads must be connected to ensure complete and correct operation within the technical specification. |
| Supplementary information | Observe the certificates, declarations of conformity, instruction manuals, and manuals where applicable. For information see www.pepperl-fuchs.com . |

Release date: 2021-12-20 Date of issue: 2021-12-20 Filename: 283725_eng.pdf

Assembly

Front view



Matching System Components

| | | |
|--|-------------------------|--|
| | KFD2-EB2 | Power Feed Module |
| | UPR-03 | Universal Power Rail with end caps and cover, 3 conductors, length: 2 m |
| | UPR-03-M | Universal Power Rail with end caps and cover, 3 conductors, length: 1,6 m |
| | UPR-03-S | Universal Power Rail with end caps and cover, 3 conductors, length: 0.8 m |
| | K-DUCT-BU | Profile rail, wiring comb field side, blue |
| | K-DUCT-BU-UPR-03 | Profile rail with UPR-03- * insert, 3 conductors, wiring comb field side, blue |

Accessories

| | | |
|--|-------------------|---|
| | KF-STP-5BU | Terminal block for KF modules, 3-pin screw terminal, with test sockets, blue |
| | KF-STP-5GN | Terminal block for KF modules, 3-pin screw terminal, with test sockets, green |
| | KF-ST-5GN | Terminal block for KF modules, 3-pin screw terminal, green |
| | KF-CP | Red coding pins, packaging unit: 20 x 6 |

Release date: 2021-12-20 Date of issue: 2021-12-20 Filename: 283725_eng.pdf

Refer to "General Notes Relating to Pepperl+Fuchs Product Information".

Application

The device supports the following SMART protocols:

- HART
- BRAIN
- Foxboro

Configuration

Configuration active output (source)

If only one output of the two outputs is used, a plug-in jumper have to be set as follows.

