



# Rotation Speed Monitor

## KFA6-DWB-Ex1.D

- 1-channel isolated barrier
- 230 V AC supply
- Dry contact or NAMUR inputs
- Input frequency 1 mHz ... 5 kHz
- 2 relay contact outputs
- Start-up override
- Configurable by keypad
- Line fault detection (LFD)
- Up to SIL 2 acc. to IEC/EN 61508 / IEC/EN 61511

230 V AC



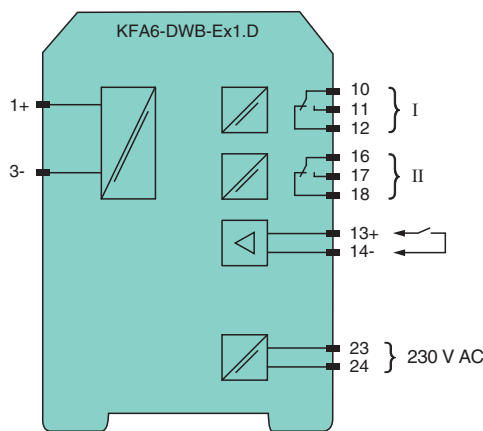
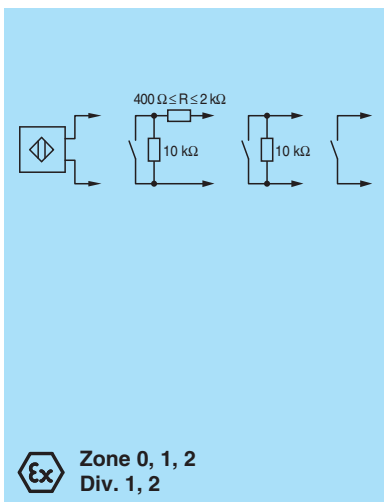
**SIL 2**



### Function

This isolated barrier is used for intrinsic safety applications. It monitors for an overspeed or underspeed condition of a discrete signal (NAMUR sensor/ mechanical contact) from a hazardous area by comparing the input frequency to the user programmed reference frequency. An overspeed or underspeed condition is signaled via the relay outputs. Line fault detection of the field circuit is indicated by a red LED and relay. The start-up override feature sets relay outputs to default conditions programmed by the user for up to 1,000 seconds. The unit is easily programmed by the use of a keypad located on the front of the unit. For additional information, refer to the manual and [www.pepperl-fuchs.com](http://www.pepperl-fuchs.com).

### Connection



### Technical Data

<b>General specifications</b>	
Signal type	Digital Input
<b>Functional safety related parameters</b>	
Safety Integrity Level (SIL)	SIL 2
<b>Supply</b>	
Connection	terminals 23, 24
Rated voltage	$U_r$ 230 V AC $\pm$ 10 %
Rated current	$I_r$ 18 mA
Power dissipation/power consumption	$\leq$ 2 VA / 2 VA
<b>Input</b>	
Connection side	field side

Release date: 2023-03-21 | Date of issue: 2023-03-21 | Filename: 231207\_eng.pdf

Refer to "General Notes Relating to Pepperl+Fuchs Product Information".

Pepperl+Fuchs Group  
[www.pepperl-fuchs.com](http://www.pepperl-fuchs.com)

USA: +1 330 486 0002  
[pa-info@us.pepperl-fuchs.com](mailto:pa-info@us.pepperl-fuchs.com)

Germany: +49 621 776 2222  
[pa-info@de.pepperl-fuchs.com](mailto:pa-info@de.pepperl-fuchs.com)

Singapore: +65 6779 9091  
[pa-info@sg.pepperl-fuchs.com](mailto:pa-info@sg.pepperl-fuchs.com)



## Technical Data

Connection	Input I: intrinsically safe: terminals 1+, 3- Input II: non-intrinsically safe: terminals 13+, 14-
Input I	acc. to EN 60947-5-6 (NAMUR)
Pulse duration	> 50 $\mu$ s
Input frequency	0.001 ... 5000 Hz
Line fault detection	breakage I $\leq$ 0.15 mA; short-circuit I > 6.5 mA
Input II	startup override: 1 ... 1000 s, adjustable in steps of 1 s
Active/Passive	I > 4 mA (for min. 100 ms) / I < 1 mA
Open circuit voltage/short-circuit current	18 V / 5 mA
<b>Output</b>	
Connection side	control side
Connection	output I: terminals 10, 11, 12 output II: terminals 16, 17, 18
Output I, II	signal, relay
Contact loading	253 V AC / 2 A / $\cos \phi \geq 0.7$ ; 40 V DC / 2 A
Mechanical life	5 x 10 <sup>7</sup> switching cycles
Energized/De-energized delay	approx. 20 ms / approx. 20 ms
<b>Transfer characteristics</b>	
Input I	
Measurement range	0.001 ... 5000 Hz
Resolution	0.1 % of measured value , $\geq$ 0.001 Hz
Accuracy	0.1 % of measured value , > 0.001 Hz
Measuring time	< 100 ms
Influence of ambient temperature	0.003 %/K (30 ppm)
Output I, II	
Response delay	$\leq$ 200 ms
<b>Galvanic isolation</b>	
Input I/other circuits	reinforced insulation according to IEC/EN 61010-1, rated insulation voltage 300 V <sub>eff</sub>
Output I, II against eachother	reinforced insulation according to IEC/EN 61010-1, rated insulation voltage 300 V <sub>eff</sub>
Output I, II/other circuits	reinforced insulation according to IEC/EN 61010-1, rated insulation voltage 300 V <sub>eff</sub>
Start-up override/power supply	reinforced insulation according to IEC/EN 61010-1, rated insulation voltage 300 V <sub>eff</sub>
<b>Indicators/settings</b>	
Display elements	LEDs , display
Control elements	Control panel
Configuration	via operating buttons
Labeling	space for labeling at the front
<b>Directive conformity</b>	
Electromagnetic compatibility	
Directive 2014/30/EU	EN 61326-1:2013 (industrial locations)
Low voltage	
Directive 2014/35/EU	EN 61010-1:2010
<b>Conformity</b>	
Electromagnetic compatibility	NE 21:2006
Degree of protection	IEC 60529:2001
<b>Ambient conditions</b>	
Ambient temperature	-20 ... 60 °C (-4 ... 140 °F)
<b>Mechanical specifications</b>	
Degree of protection	IP20
Connection	screw terminals
Mass	300 g
Dimensions	40 x 119 x 115 mm (1.6 x 4.7 x 4.5 inch) (W x H x D) , housing type C2
Mounting	on 35 mm DIN mounting rail acc. to EN 60715:2001
<b>Data for application in connection with hazardous areas</b>	
EU-type examination certificate	TÜV 99 ATEX 1408

Release date: 2023-03-21 Date of issue: 2023-03-21 Filename: 231207\_eng.pdf

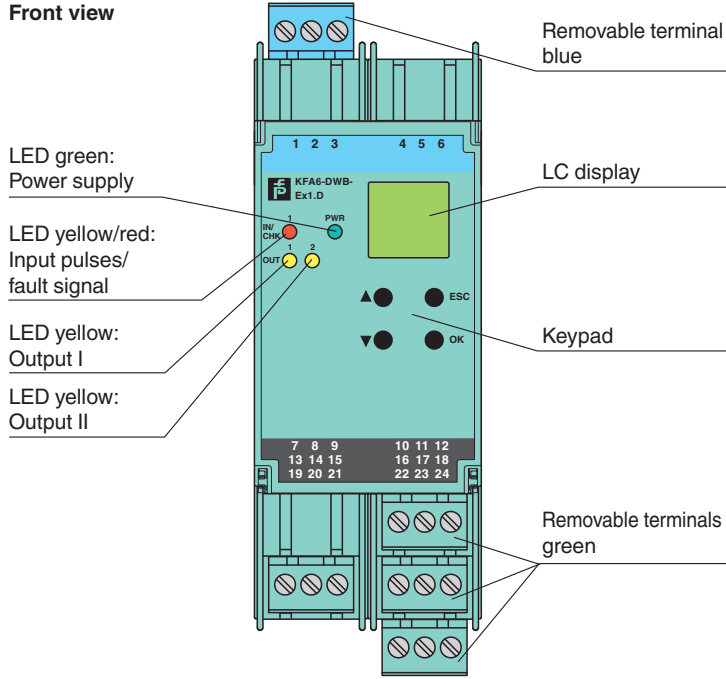
Refer to "General Notes Relating to Pepperl+Fuchs Product Information".

Pepperl+Fuchs Group  
www.pepperl-fuchs.comUSA: +1 330 486 0002  
pa-info@us.pepperl-fuchs.comGermany: +49 621 776 2222  
pa-info@de.pepperl-fuchs.comSingapore: +65 6779 9091  
pa-info@sg.pepperl-fuchs.com
 PEPPERL+FUCHS

## Technical Data

Marking	Ⓜ II (1)G [Ex ia Ga] IIC Ⓜ II (1)D [Ex ia Da] IIIC Ⓜ I (M1) [Ex ia Ma] I	
Supply		
Maximum safe voltage	$U_m$	253 V AC (Attention! $U_m$ is no rated voltage.)
Input I		terminals 1+, 3-: Ex ia
Voltage $U_o$		10.1 V
Current $I_o$		13.5 mA
Power $P_o$		34 mW (linear characteristic)
Input II		terminals 13+, 14- non-intrinsically safe
Maximum safe voltage $U_m$		40 V (Attention! The rated voltage can be lower.)
Output I, II		terminals 10, 11, 12; 16, 17, 18 non-intrinsically safe
Maximum safe voltage	$U_m$	253 V (Attention! The rated voltage can be lower.)
Contact loading		253 V AC/2 A/cos $\phi > 0.7$ ; 40 V DC/2 A resistive load
Certificate		TÜV 02 ATEX 1885 X
Marking		Ⓜ II 3G Ex nA nC IIC T4 Gc
Output I, II		
Contact loading		50 V AC/2 A/cos $\phi > 0.7$ ; 40 V DC/2 A resistive load
Galvanic isolation		
Input I/other circuits		safe electrical isolation acc. to IEC/EN 60079-11, voltage peak value 375 V
Directive conformity		
Directive 2014/34/EU		EN 60079-0:2012+A11:2013, EN 60079-11:2012, EN 60079-15:2010
<b>International approvals</b>		
FM approval		
Control drawing		16-538FM-12
UL approval		E223772
IECEx approval		
IECEx certificate		IECEx TUN 03.0000
IECEx marking		[Ex ia Ga] IIC, [Ex ia Da] IIIC, [Ex ia Ma] I
<b>General information</b>		
Supplementary information		Observe the certificates, declarations of conformity, instruction manuals, and manuals where applicable. For information see <a href="http://www.pepperl-fuchs.com">www.pepperl-fuchs.com</a> .

**Assembly**



**Matching System Components**

	<b>K-DUCT-BU</b>	Profile rail, wiring comb field side, blue
--	------------------	--

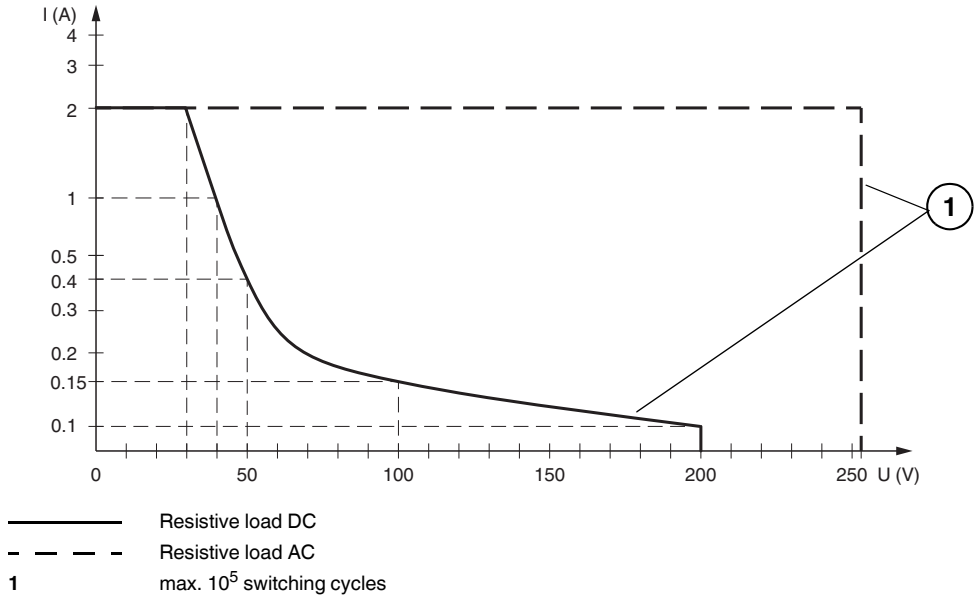
**Accessories**

	<b>F-NR3-Ex1</b>	NAMUR Resistor Network
	<b>KF-ST-5GN</b>	Terminal block for KF modules, 3-pin screw terminal, green
	<b>KF-ST-5BU</b>	Terminal block for KF modules, 3-pin screw terminal, blue
	<b>KF-CP</b>	Red coding pins, packaging unit: 20 x 6

Release date: 2023-03-21 | Date of issue: 2023-03-21 | Filename: 231207\_eng.pdf

**Characteristic Curve**

**Maximum Switching Power of Output Contacts**



Release date: 2023-03-21 Date of issue: 2023-03-21 Filename: 231207\_eng.pdf

Refer to "General Notes Relating to Pepperl+Fuchs Product Information".

Pepperl+Fuchs Group  
www.pepperl-fuchs.com

USA: +1 330 486 0002  
pa-info@us.pepperl-fuchs.com

Germany: +49 621 776 2222  
pa-info@de.pepperl-fuchs.com

Singapore: +65 6779 9091  
pa-info@sg.pepperl-fuchs.com