



# Conductive Switch Amplifier

## KFA6-ER-2.W.LB

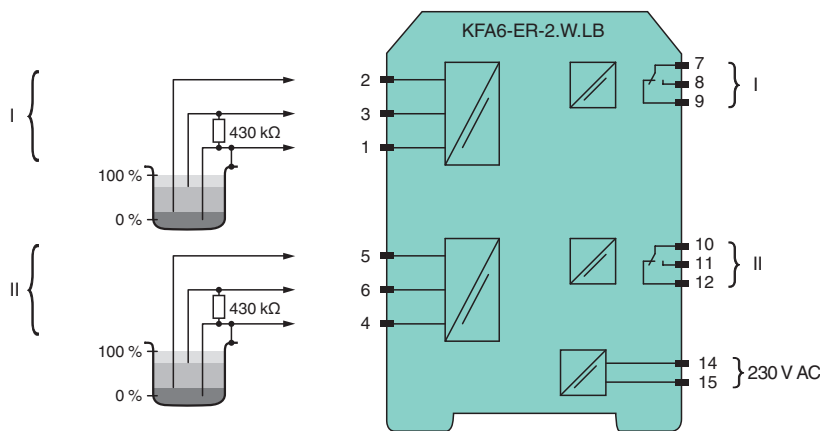
- 2-channel signal conditioner
- 230 V AC supply
- Level sensing input
- Adjustable range 1 kΩ ... 150 kΩ
- Relay contact output
- Adjustable time delay up to 10 s
- Minimum/maximum control
- Line fault detection (LFD)



### Function

This signal conditioner provides the AC measuring voltage for the level sensing electrodes. Once the measured medium reaches the electrodes, the unit reacts by energizing a form C changeover relay contact. The module is voltage and temperature stabilized and guarantees a defined switching characteristic. It can be used for on/off control or minimum/maximum control. A signal delay feature is available and is adjustable between 0.5 s and 10 s. This module can also monitor the field circuit for lead breakage (LB). LB is indicated by a red LED. This function can be deactivated with DIP switches.

### Connection



### Technical Data

General specifications	
Signal type	Digital Input
<b>Supply</b>	
Connection	terminals 14, 15
Rated voltage	$U_r$ 207 ... 253 V AC, 45 ... 65 Hz
Rated current	$I_r$ ≤ 7 mA
Power consumption	< 1.2 W
<b>Input</b>	
Connection side	field side
Connection	terminals 1, 4 (mass), 2, 5 (min), 3, 6 (max)

Release date: 2022-12-07 Date of issue: 2022-12-07 Filename: 115620\_eng.pdf

Refer to "General Notes Relating to Pepperl+Fuchs Product Information".

Pepperl+Fuchs Group  
www.pepperl-fuchs.com

USA: +1 330 486 0002  
pa-info@us.pepperl-fuchs.com

Germany: +49 621 776 2222  
pa-info@de.pepperl-fuchs.com

Singapore: +65 6779 9091  
pa-info@sg.pepperl-fuchs.com

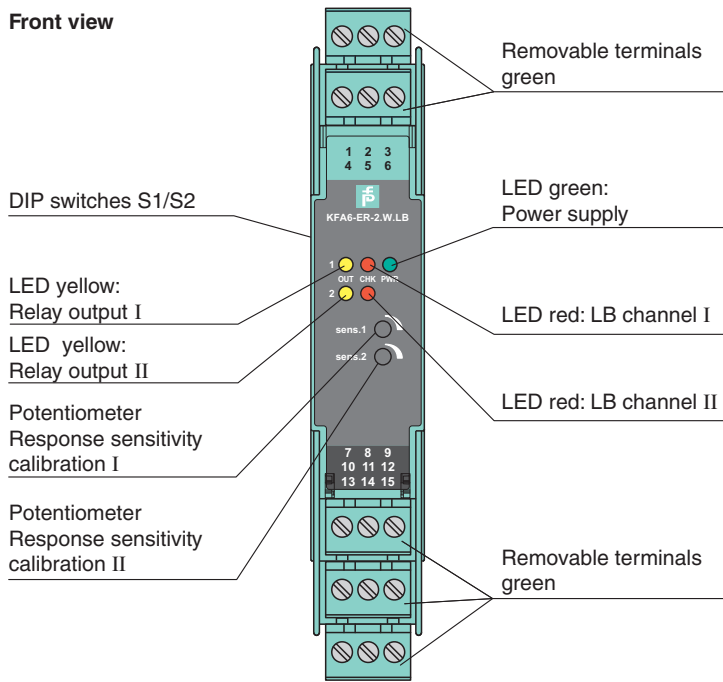
PEPPERL+FUCHS

## Technical Data

Control input	min./max. control system: terminals 1, 2, 3; 4, 5, 6 on/off control system: terminals 1, 3; 4, 6
Response sensitivity	1 ... 150 k $\Omega$ , adjustable via potentiometer
<b>Output</b>	
Connection side	control side
Connection	terminals 7, 8, 9; 10, 11, 12
Switching power	max. 192 W , 2000 VA
Output	relay
Contact loading	253 V AC/2 A/cos $\phi$ > 0.7; 40 V DC/2 A resistive load
Time constant for signal damping	0.5 s, 2 s, 5 s, 10 s
<b>Galvanic isolation</b>	
Input/Output	reinforced insulation according to IEC/EN 61010-1, rated insulation voltage 300 V <sub>eff</sub>
Input/power supply	reinforced insulation according to IEC/EN 61010-1, rated insulation voltage 300 V <sub>eff</sub>
Output/power supply	reinforced insulation according to IEC/EN 61010-1, rated insulation voltage 300 V <sub>eff</sub>
<b>Indicators/settings</b>	
Display elements	LEDs
Control elements	DIP switch potentiometer
Configuration	via DIP switches via potentiometer
Labeling	space for labeling at the front
<b>Directive conformity</b>	
Electromagnetic compatibility	
Directive 2014/30/EU	EN 61326-1:2013 (industrial locations)
Low voltage	
Directive 2014/35/EU	EN 61010-1:2010
<b>Conformity</b>	
Electromagnetic compatibility	NE 21:2006
Degree of protection	IEC 60529:2001
<b>Ambient conditions</b>	
Ambient temperature	-20 ... 60 °C (-4 ... 140 °F) extended ambient temperature range up to 70 °C (158 °F), refer to manual for necessary mounting conditions
<b>Mechanical specifications</b>	
Degree of protection	IP20
Connection	screw terminals , max. 2.5 mm <sup>2</sup>
Mass	approx. 150 g
Dimensions	20 x 119 x 115 mm (0.8 x 4.7 x 4.5 inch) (W x H x D) , housing type B2
Mounting	on 35 mm DIN mounting rail acc. to EN 60715:2001
<b>General information</b>	
Supplementary information	Observe the certificates, declarations of conformity, instruction manuals, and manuals where applicable. For information see <a href="http://www.pepperl-fuchs.com">www.pepperl-fuchs.com</a> .

**Assembly**

Front view



**Matching System Components**

	<b>K-DUCT-GY</b>	Profile rail, wiring comb field side, gray
--	------------------	--

**Accessories**

	<b>KF-ST-5GN</b>	Terminal block for KF modules, 3-pin screw terminal, green
	<b>KF-CP</b>	Red coding pins, packaging unit: 20 x 6

Release date: 2022-12-07 Date of issue: 2022-12-07 Filename: 115620\_eng.pdf

Refer to "General Notes Relating to Pepperl+Fuchs Product Information".

Pepperl+Fuchs Group  
www.pepperl-fuchs.com

USA: +1 330 486 0002  
pa-info@us.pepperl-fuchs.com

Germany: +49 621 776 2222  
pa-info@de.pepperl-fuchs.com

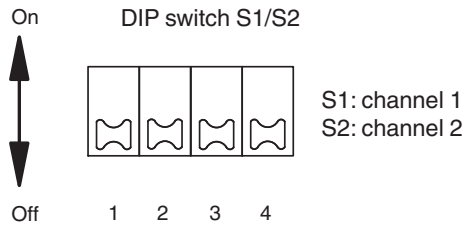
Singapore: +65 6779 9091  
pa-info@sg.pepperl-fuchs.com

## Application

The device is equipped with lead breakage detection (current free relay in event of failure). For this purpose, the enclosed 430 kΩ resistance must be switched between the maximum and reference electrode. This function can be deactivated by DIP switches.

## Configuration

DIP switches function on side of device



Switches	Position	Function
1	Off	open circuit current
	On	closed circuit current
2	Off	LB deactivated
	On	LB activated

Switch 3	Switch 4	Time constant for signal damping
Off	Off	0.5 s
Off	On	2 s
On	Off	5 s
On	On	10 s

- Open circuit current principle: In open circuit current principle the relay becomes active when the limit is reached.
- Closed circuit current principle: In closed circuit current principle, the relay is activated when power is applied. The relay is deactivated when the limit is reached.

Release date: 2022-12-07 Date of issue: 2022-12-07 Filename: 115620\_eng.pdf