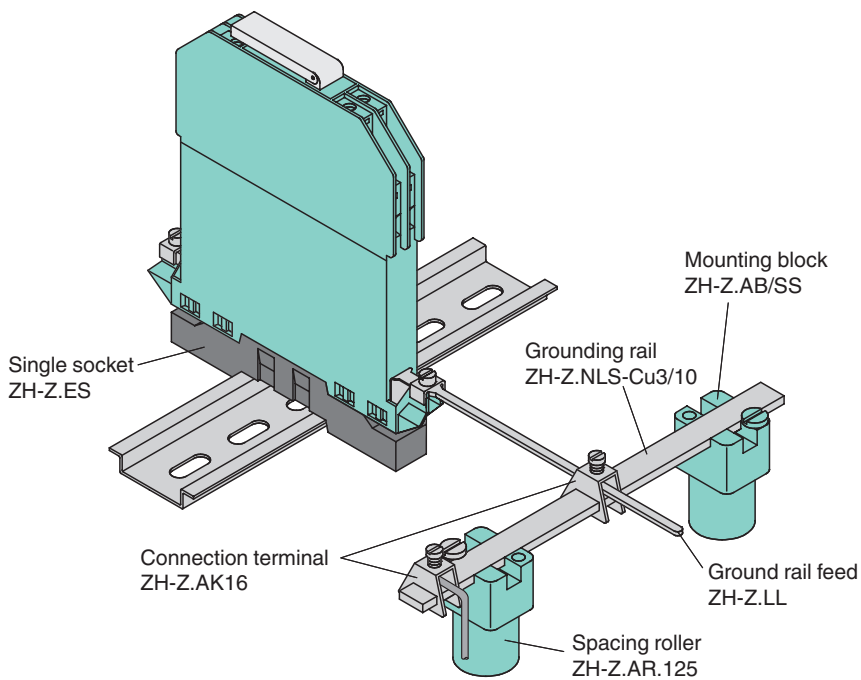


## Connection Terminal ZH-Z.AK16

- Accessory Zener Barriers
- Accessory Surge Protection
- For individual grounding through insulated mounting
- Packaging unit: 10 pieces

Connection terminal for grounding rail

### Assembly



Release date: 2022-10-19 Date of issue: 2022-10-19 Filename: 048596\_eng.pdf

Refer to "General Notes Relating to Pepperl+Fuchs Product Information".

Pepperl+Fuchs Group  
www.pepperl-fuchs.com

USA: +1 330 486 0002  
pa-info@us.pepperl-fuchs.com

Germany: +49 621 776 2222  
pa-info@de.pepperl-fuchs.com

Singapore: +65 6779 9091  
pa-info@sg.pepperl-fuchs.com

**PF** PEPPERL+FUCHS