

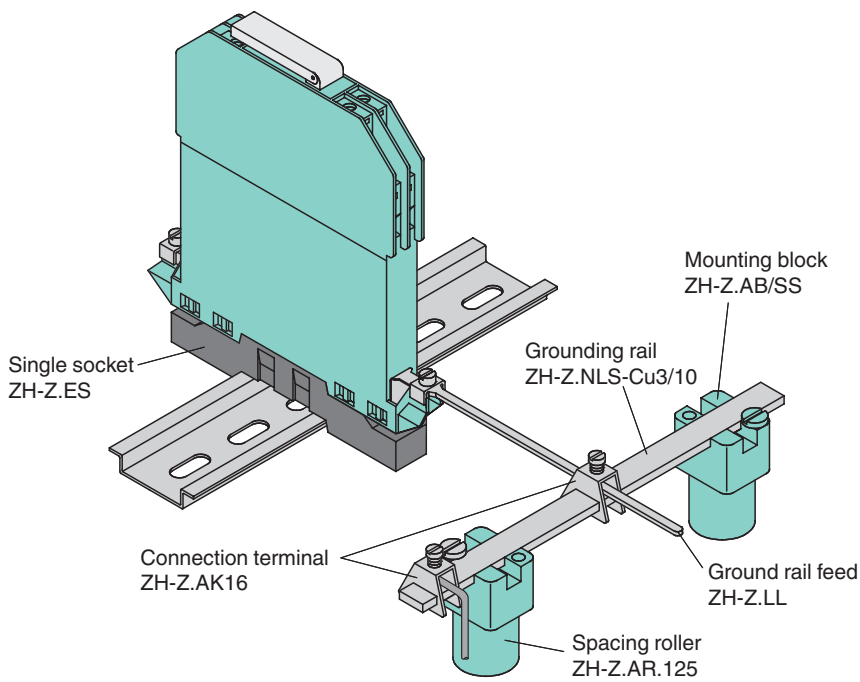
## Single Socket

### ZH-Z.ES

- Accessory Zener Barriers
- For individual grounding through insulated mounting

Single Socket

## Assembly



## Technical Data

### Mechanical specifications

Dimensions	12.5 x 91.5 x 13 mm (0.49 x 3.6 x 0.51 inch)
Mounting	DIN rail mounting

Release date: 2022-10-19 Date of issue: 2022-10-19 Filename: 033208\_eng.pdf

Refer to "General Notes Relating to Pepperl+Fuchs Product Information".

Pepperl+Fuchs Group  
www.pepperl-fuchs.com

USA: +1 330 486 0002  
pa-info@us.pepperl-fuchs.com

Germany: +49 621 776 2222  
pa-info@de.pepperl-fuchs.com

Singapore: +65 6779 9091  
pa-info@sg.pepperl-fuchs.com

**PF** PEPPERL+FUCHS